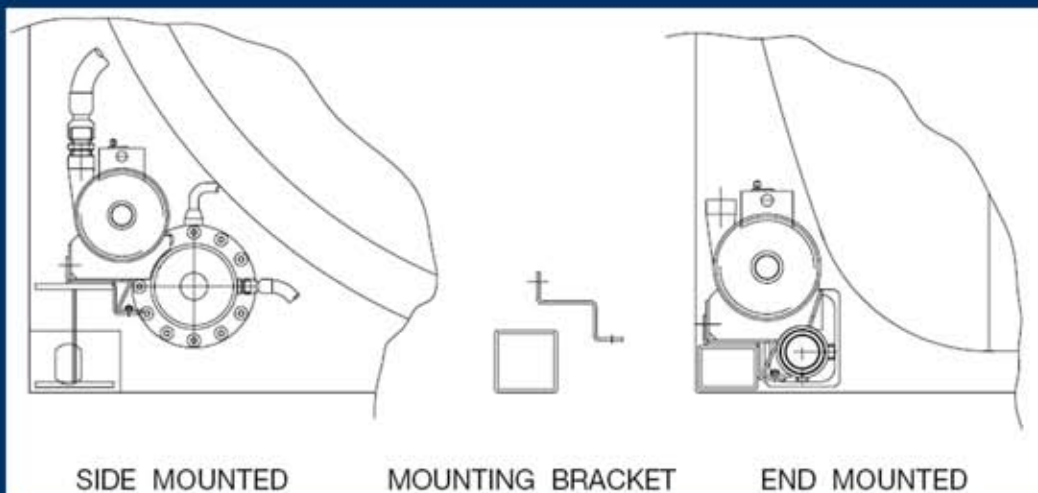


KLINGE CORPORATION

Leading Manufacturer of Specialized Refrigeration Units and Generator Sets

TANK CONTAINER HEATING UNITS TCH-106 to 125



4075 East Market Street • York • PA 17402 USA

Tel: 717 840-4500 • Fax: 717 840-4501
www.klinge.com • info@klinge.com



18 Upsalagade • DK-2100 • Copenhagen • Denmark

Tel: +45 3538 1771 • Fax: +45 3526 2221
QUALITY SYSTEM REGISTERED TO ISO 9001

KLINGE CORPORATION

Leading Manufacturer of Specialized Refrigeration Units and Generator Sets

TANK CONTAINER HEATING UNITS

General Description

The heaters may be installed on new or existing ISO tanks. The heaters provide electrical heating by pumping a liquid through existing steam coils or wrap around channels welded on the outside of the tanks. Generally the heat transfer medium is glycol, but synthetic oil is used for higher temperatures.

The units can be mounted on the side or on the end of the tank. All units are built with a profile to fit over a frame member and are mounted to a simple "Z" bracket which is welded to the tank frame.

To allow for the thermal expansion of the heat transfer medium a tank will be mounted at the top of the container behind the corner post.

The main power cable and a CEE17 power plug are supplied with the control box. (The plug can be a removed option). The last two digits of the model number designate the nominal heating capacity in Kw.

TCH-106 or 109 are the base units (6 Kw) or (9 Kw) to which various thermostats can be supplied to control the heating system depending upon the application. Thermostats include mechanical, electro-mechanical and electronic.

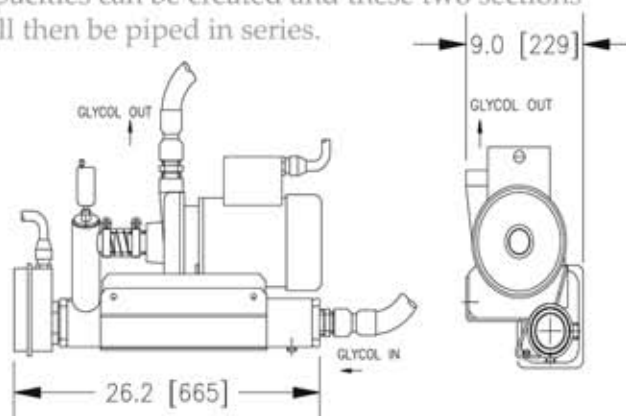
Electronic control features available:

Temperature controls can include limit control, liquid level cutout, and high temperature cutout. Visual and audible alarms can be added, to signal the alarm conditions. Remote controls can be incorporated. Internal or external data recording is available. GPS Satellite tracking with temperature information sent to a website for the customer to monitor the tank temperatures.

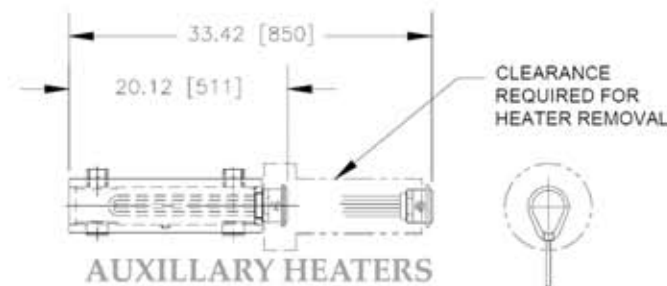
	CONTROL OPTIONS	
	SMALL ENCLOSURE ELECTRO-MECHANICAL THERMOSTAT	LARGE ENCLOSURE MICROPROCESSOR THERMOSTAT
ADDITIONAL THERMOCOUPLES (CARGO AND OR FRAME)		X
	REMOTE ALARMS	
INTERNAL DATALOGGER AND RS232 PORT		X
AC HORN	X	X
AC FLASHING LIGHT	X	X
	BATTERY POWER	
POWER OFF ALARM		X
DC HORN		X
DC FLASHING LIGHT		X
INDEPENDENT DATALOGGER	X	X

TCH	106	106A	106B	108A	108B	113B	125B
NOMINAL POWER KW	6	6	6	8	8	13	25
THERMOSTAT IN GLYCOL (NO ENCLOSURE)	X						
CARGO THERMOSTAT SMALL ENCLOSURE		X		X			
UNIVERSAL CONTROL ENCLOSURE			X		X	X	X

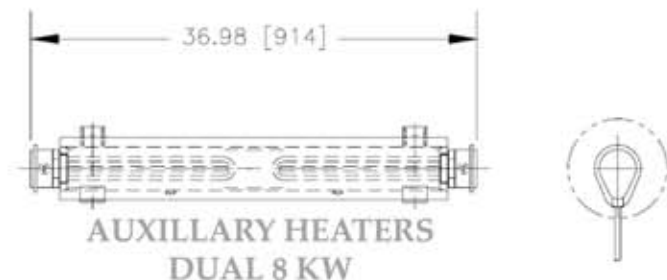
Using a standard basic pump heater unit and a standard auxillary heater unit, various heating capacities can be created and these two sections will then be piped in series.



BASIC TCH-106 OR 108



**AUXILLARY HEATERS
5 KW OR 8KW**



**AUXILLARY HEATERS
DUAL 8 KW**

4075 East Market Street • York • PA 17402 USA

18 Upsalagade • DK-2100 • Copenhagen • Denmark

Tel: 717 840-4500 • Fax: 717 840-4501
www.klingecorp.com • info@klingecorp.com



Tel: +45 3538 1771 • Fax: +45 3526 2221
QUALITY SYSTEM REGISTERED TO ISO 9001